



PEW Electrical Distributors

TFT Displays



IRIS 9.0"

High resolution car position indicator



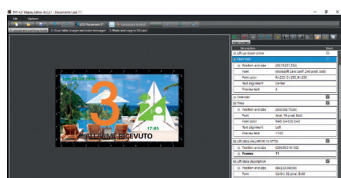
MAIN FEATURES

- Easy layout configuration via SIRIO PC software
- Customisable background, arrows, floors, logo and signalling
- Meets EN 81-70
- Energy saving system mode (stand-by)
- Easy joypad for the onboard selection of main features (buzzer volume, communication interface, first floor, brightness, stand-by duration)
- Communication interface: Vega serial, RS485 Encoder, CAN, parallel and magnetic sensors
- Enclosure: plastic protection case with metal TFT enclosure
- Mounting: horizontal and vertical
- Voice synthesizer on board
- Updating by USB/SD card
- Compact design: 235mm x 166mm x 36mm
- **Direct connection to Standalone Reed Switches & Magnet System - no encoder needed**

Dimensions: 9.0"
 Visible area: 198 x 111mm
 Resolution: 800(RGB) x 480 -WVGA
 Pixel (mm): 0.24 x 0.23 mm
 Colours: 16m
 Energy consumption: 400mA
 Power supply: 12/24 Vdc
 Temperature range: -5/+40°C
 Encumbrance: 233x166x36mm



Example layouts / graphics



SIRIO SOFTWARE

- Intuitive dedicated programming software
- Easily customise your TFT layout
- Inbuilt fonts and arrow design options
- Change display orientation
- Export to microSD Card for display update

ORDER CODES

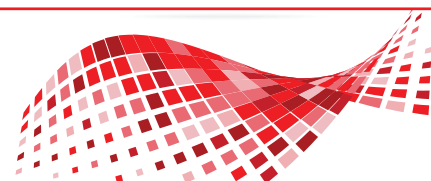
TFT901A-3: 9.0" TFT, for 3mm plate, parallel input (standalone) and VEGA Serial
 TFT903A-3: 9.0" TFT, for 3mm plate, parallel input and SNV201ENC-VG (binary, gray, 1PF)
 SNV201ENC-VG: VEGA Encoder with Speech for Binary, Gray, 1PF via RS485 (4-wire system)
 SNV201/1WSPK: 1Watt Speaker (for speech)
 SNV201/5WSPK: 5Watt Speaker (for speech)

PEW Electrical Distributors Ltd

Unit 1 The iO Centre
59-71 River Road
Barking, Essex IG11 0DR

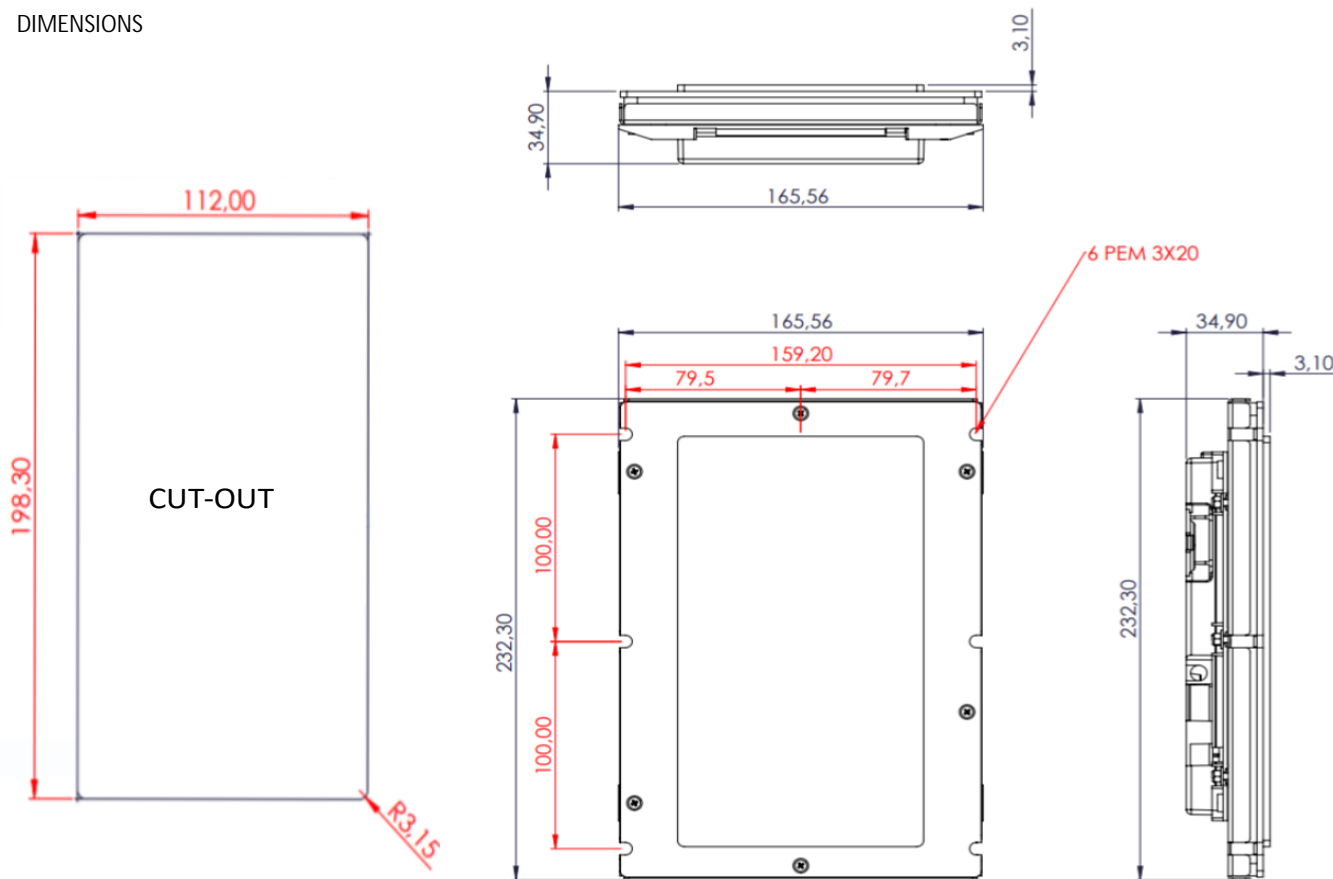
0208 507 1001

sales@pewelectrical.com
www.pewelectrical.com



TFT Display

DIMENSIONS



INTERFACES

SNV201:ENC

- RS485 serial encoder board (4-wire) to car & landings
- Binary, Gray, 1 per Floor inputs
- Maximum 32 stops
- Default or configurable service message inputs
- Configure set-up onboard via buttons
- Speech output with COP mounted speaker (1W or 5W)
- Update speech using .wav files to MicroSD Card

1 PER FLOOR

- Direct input to display
- Maximum 10 stops

PARALLEL INPUT

- Common Positive (Anode)
- Common Negative (Cathode)

